



## TXVA series

pump with *Load Sensing* control - SAE version

variable displacement piston pumps

### ► Characteristics

Pump ref.	Direction of rotation	Max. displacement <sup>(1)</sup>		Maximum operating pressure		Max. peak pressure (intermittent: 5%)		Torque at 300 bar (4350 psi) <sup>(2)</sup>		Max. speed at full displacement <sup>(3)</sup>	Max. speed in stand-by	Weight		Overhang torque <sup>(4)</sup>	
		cu.in/rev	(cc/rev)	psi	(bar)	psi	(bar)	lbf ft	(N.m)	rpm	rpm	lbs	(kg)	lbf ft	(N.m)
<b>TXVA 75</b>	CC CCW	4.60	(75)	5800	(400)	6090	(420)	310	(420)	2000	3000	64	(29)	26	(35.2)
<b>TXVA 92</b>	CC CCW	5.60	(92)	5500	(380)	5800	(400)	380	(515)	1900	3000	64	(29)	26	(35.2)

(1) TXV pumps can be set for smaller maximum displacements (see page 41).

(2) For a mechanical efficiency at 85%.

(3) Higher speed - at full displacement - possible depending on flow required : please contact us.

(4) Value of the overhang torque of the only pump.

### ► Configurator for TXVA pumps

To obtain order code for your pump, fill in the parameters (2, 3, 4, 5) depending on the options required, using the table below.



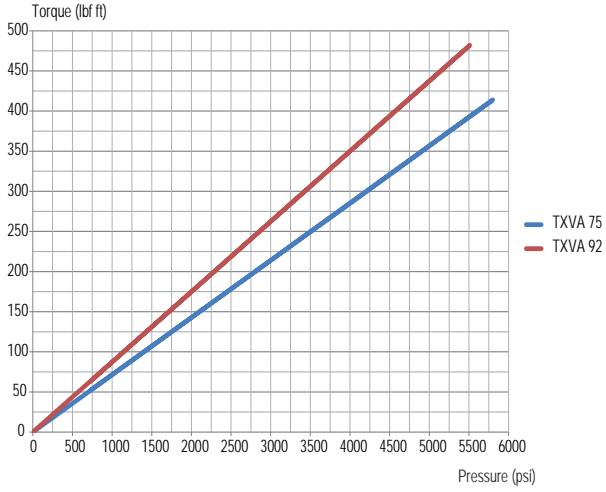
<b>TXVA</b>	...	...	...	...	L1
<b>1</b>	<b>2</b>	<b>3</b>	<b>4</b>	<b>5</b>	<b>6</b>

<b>1</b>	<b>TXVA pump</b>			
<b>2</b>	<b>Displacement</b>	4.60 cu.in/rev (75 cc/rev)	5.60 cu.in/rev (92 cc/rev)	
<b>3</b>	<b>Direction of rotation</b>			CW CCW
<b>4</b>	<b>Flange</b>	SAE C - 2 bolts SAE C - 4 bolts		C1 C2
<b>5</b>	<b>Shaft end</b>	Splined SAE J744 Keyed SAE J744	14T 12/24 DP - SAE C Ø1 1/4" UNF 2A - SAE C	S1 K1
<b>6</b>	<b>Ports</b>	Threaded	Inlet: 1 7/8" 12UN 2B Outlet: 1 1/16" 12UN 2B	L1

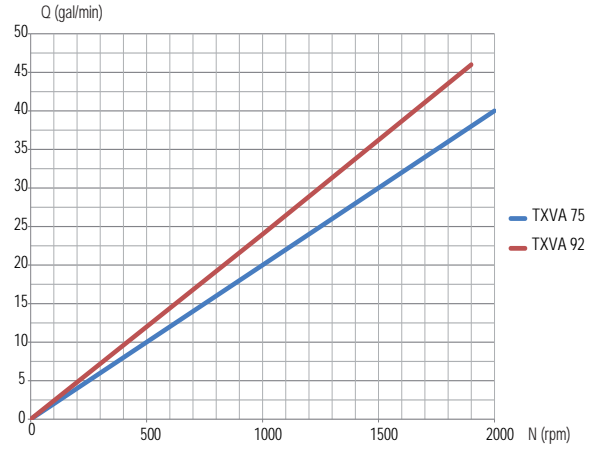


# Performance and dimensions - TXVA SAE version

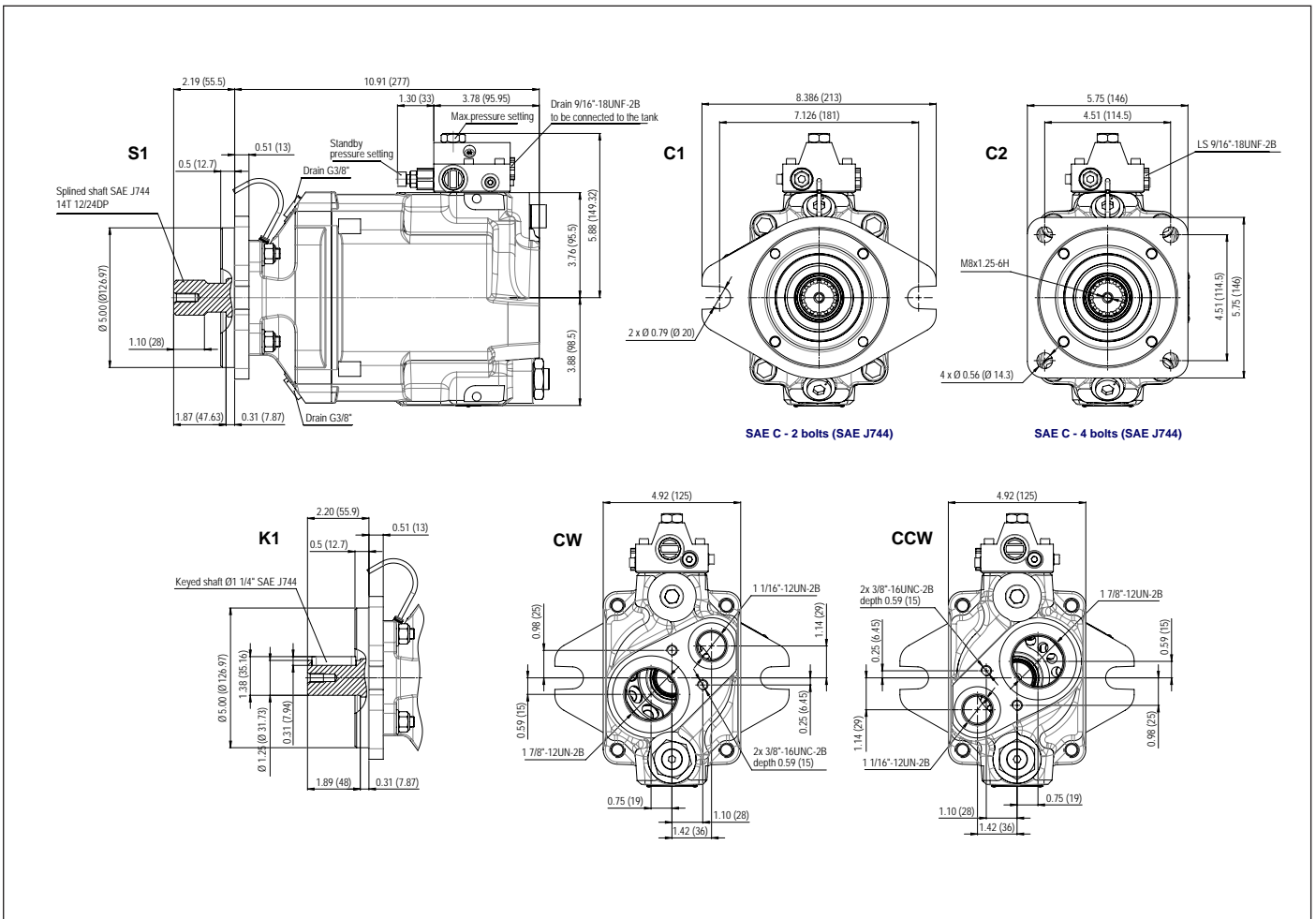
## ► Torque absorbed as a function of pump output pressure (with a mechanical efficiency considered at 85%)



## ► Flow



## ► Dimensions



Dimensions in inches (mm).

A passion for hydraulics



**HYDRO LEDUC SAS**

Head Office and Factory  
BP 9  
F-54122 AZERAILLES  
FRANCE  
Tél. +33 (0)3 83 76 77 40  
Fax +33 (0)3 83 75 21 58

**HYDRO LEDUC GmbH**

Am Ziegelplatz 20  
D-77746 SCHUTTERWALD  
DEUTSCHLAND  
Tel. +49 (0) 781-9482590  
Fax + 49 (0) 781-9482592

**HYDRO LEDUC AB**

Betongvägen 11  
461 38 TROLLHÄTTEN  
SWEDEN  
Tel. + 46 (0) 520 10 820

**HYDRO LEDUC BV**

Ericssonstraat 2  
5121 ML RIJEN  
THE NETHERLANDS  
Tel. +31 6 202 40 651

**HYDRO LEDUC N.A. Inc.**

Grand Parkway Industrial Park  
23549 Clay Road  
KATY, TX 77493  
USA  
Tel. +1 281 679 9654  
Fax +1 832 321 3553



[www.hydroleduc.com](http://www.hydroleduc.com)



HYDRO LEDUC  
SAS au capital de 4 065 000 €  
EORI FR31902742100019  
RC Nancy B 319 027 421  
[contact@hydroleduc.com](mailto:contact@hydroleduc.com)