



INLET FITTINGS FOR XAi PUMPS

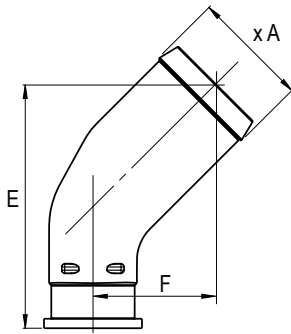
⚠ See recommendations of the hosing dimensions on page 42.

For high speeds, please consult.

All XAi pumps are supplied with their inlet fitting.

Please specify required fitting from the choice below when ordering.

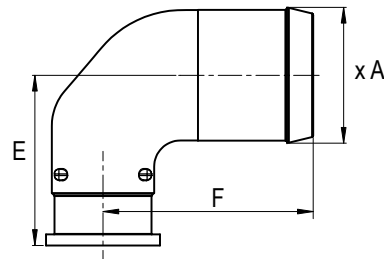
45° elbow fittings kit



| Reference | Ø hose | Ø A | E | F |
|-----------|--------|------|-------|------|
| 0519370 | 1 1/2" | 39.1 | 91.7 | 46.7 |
| 0519373 | 42 | 43 | 91.7 | 46.7 |
| 0519374 | 1 3/4" | 46 | 91.7 | 46.7 |
| 0519371 | 2" | 51.8 | 108.4 | 54.4 |
| 0519372 | 2 1/2" | 64.5 | 125.2 | 62.2 |

Dimensions in mm.

90° elbow fittings kit



| Code LEDUC | Ø hose | Ø A | E | F |
|------------|--------|------|------|------|
| 0521740 | 1 1/2" | 39.1 | 58.6 | 79.5 |
| 0521741 | 2" | 51.8 | 64.9 | 80.2 |
| 0521742 | 2 1/2" | 64.5 | 71.3 | 87.5 |

Dimensions in mm.

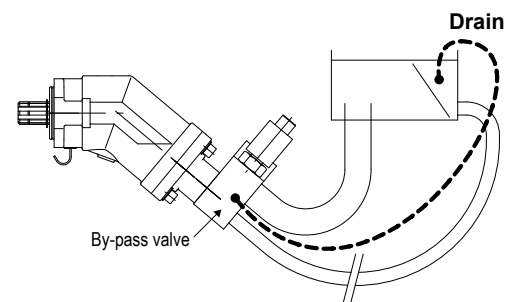
BY-PASS VALVE FOR XAi PUMPS

For XAi pump applications where the pump is driven by a continuous running PTO (PTO which cannot be disengaged), this solution allows the continuous running of the pump:

- without creating problems of fluid overheating;
- without affecting pump service life;
- with no modifications necessary to the hydraulic circuit of the equipment.

⇒ **By-pass fitted on the back of the XAi pump.**

| Codes LEDUC | 24 Volts |
|------------------|---------------|
| XAi 18 to XAi 32 | BPA32 0521710 |
| XAi 41 to XAi 63 | BPA63 0521715 |

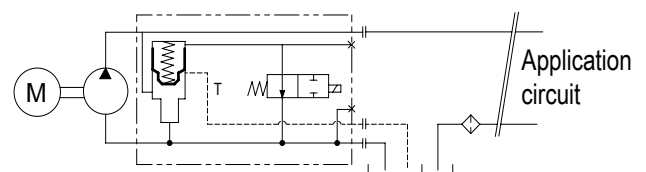


► How does it work ?

The by-pass valve is a 24 Volts solenoid valve.

When not activated, it enables pump output to link up to pump inlet.

When it is activated, the pump operates normally (output flow).



A drain line has to be installed between the By-Pass valve and the hydraulic tank of the vehicle to ensure sufficient oil circulation and a good cooling into the pump. In any case, the connection to the tank must be done below the oil level.

► XAi overhang torque with by-pass

2 bolt flange - SAE J744

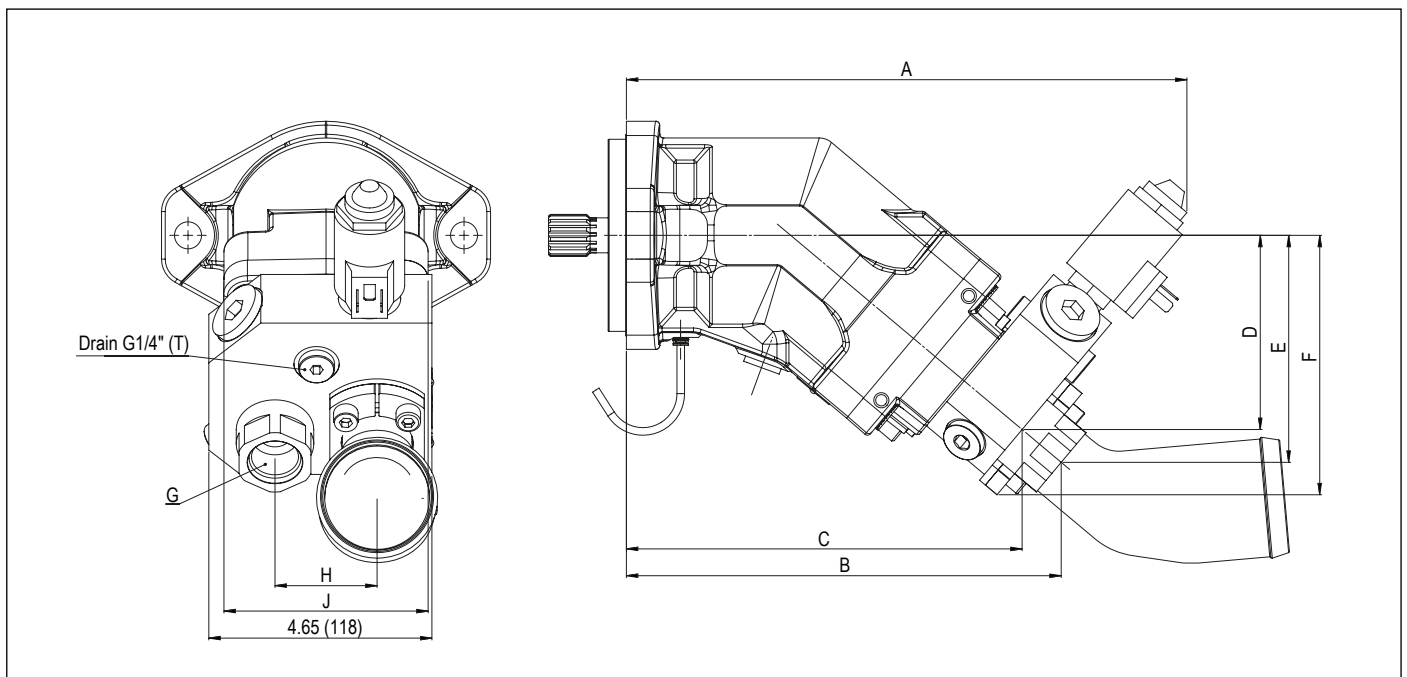
| Pump reference | Weight | | Overhang torque | |
|------------------|-----------------------------------|-----------------------------------|---------------------------------------|---------------------------------------|
| | without inlet fitting lbs (kg) | with inlet fitting 2" lbs (kg) | without inlet fitting lbf ft (N.m) | with inlet fitting 2" lbf ft (N.m) |
| XAi 18 - 2 bolts | 28.33 (12.85) | 29.32 (13.30) | 9.87 (13.38) | 12.51 (16.96) |
| XAi 25 - 2 bolts | 28.44 (12.90) | 29.43 (13.35) | 12.13 (16.45) | 12.55 (17.02) |
| XAi 32 - 2 bolts | 32.41 (14.70) | 33.40 (15.15) | 14 (18.98) | 14.43 (19.56) |
| XAi 41 - 2 bolts | 32.52 (14.75) | 33.51 (15.20) | 10.36 (14.04) | 14.47 (19.62) |

4 bolt flange - SAE J744

| Pump reference | Weight | | Overhang torque | |
|------------------|-----------------------------------|-----------------------------------|---------------------------------------|---------------------------------------|
| | without inlet fitting lbs (kg) | with inlet fitting 2" lbs (kg) | without inlet fitting lbf ft (N.m) | with inlet fitting 2" lbf ft (N.m) |
| XAi 18 - 4 bolts | 28.77 (13.05) | 29.76 (13.50) | 12.27 (16.64) | 12.69 (17.21) |
| XAi 25 - 4 bolts | 28.77 (13.05) | 29.76 (13.50) | 12.27 (16.64) | 12.69 (17.21) |
| XAi 32 - 4 bolts | 32.74 (14.85) | 33.73 (15.30) | 14.14 (19.17) | 14.57 (19.75) |
| XAi 41 - 4 bolts | 32.85 (14.90) | 33.84 (15.35) | 14.19 (19.24) | 14.62 (19.82) |
| XAi 50 - 4 bolts | 32.63 (14.80) | 33.62 (15.25) | 14.79 (20.05) | 15.24 (20.66) |
| XAi 63 - 4 bolts | 32.74 (14.85) | 33.73 (15.30) | 14.84 (20.12) | 15.29 (20.73) |

► Dimensions with by-pass valve

| Pump reference | A | B | C | D | E | F | G | H | J |
|----------------|---------------|--------------|--------------|--------------|--------------|--------------|----------------------|-----------|------------|
| XAi 18 / 25 | 11.43 (290.4) | 8.81 (223.9) | 8.00 (203.2) | 5.20 (132.1) | 4.53 (115) | 3.84 (97.6) | 3/4" - 16UNF - 2B | 2.13 (54) | 4.25 (108) |
| XAi 32 | 11.67 (296.5) | 9.06 (230) | 8.24 (209.2) | 5.41 (137.3) | 4.73 (120.1) | 4.04 (102.7) | 3/4" - 16UNF - 2B | 2.13 (54) | 4.25 (108) |
| XAi 41 | 11.67 (296.5) | 9.06 (230) | 8.24 (209.2) | 5.41 (137.3) | 4.73 (120.1) | 4.04 (102.7) | 1 1/16" - 16UNF - 2B | 2.13 (54) | 4.25 (108) |
| XAi 50 / 63 | 12.13 (308.2) | 9.52 (241.7) | 8.70 (221) | 5.79 (147) | 5.11 (129.9) | 4.43 (112.5) | 1 1/16" - 16UNF - 2B | 2.13 (54) | 4.25 (108) |



Dimensions in inches (mm).